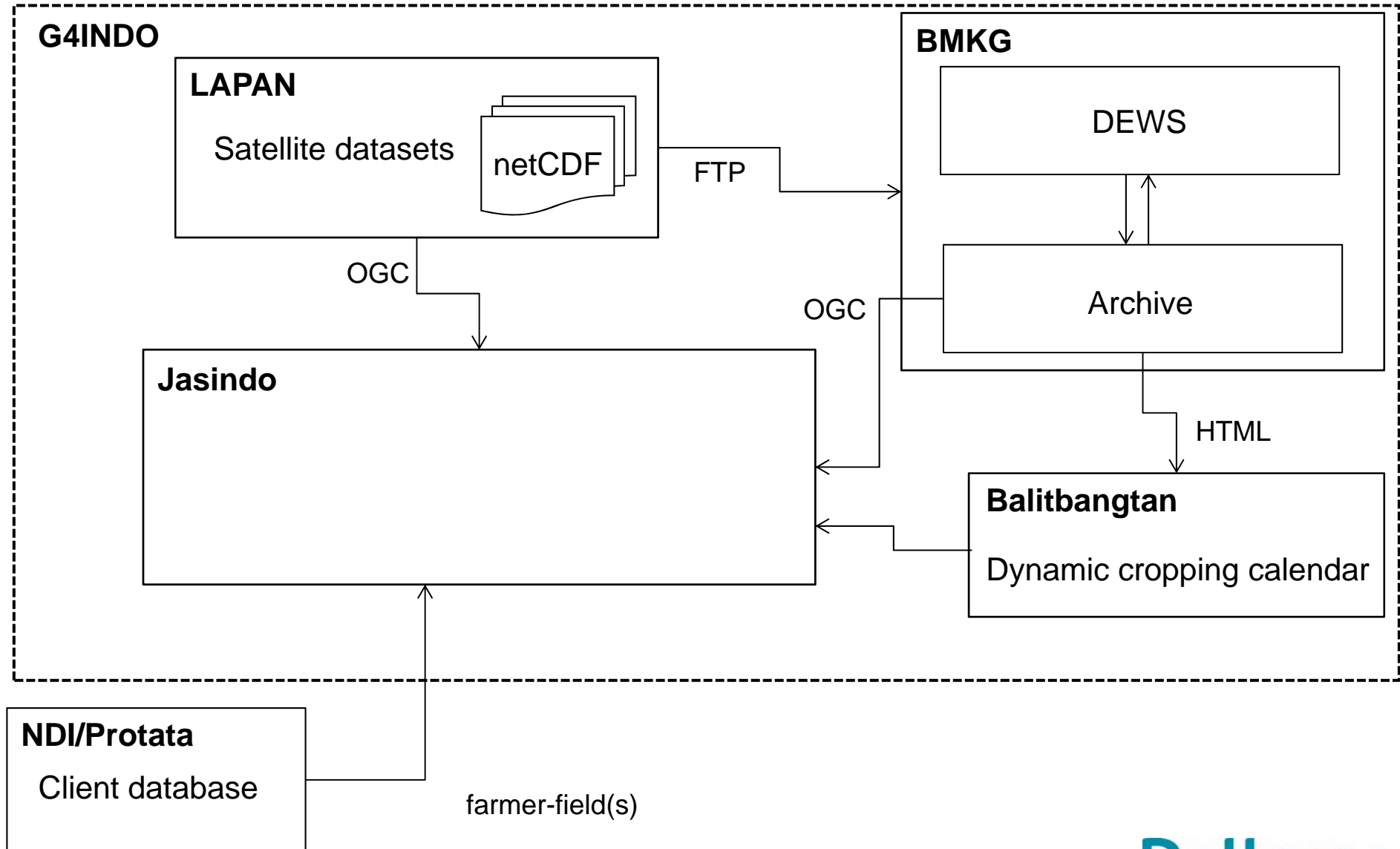
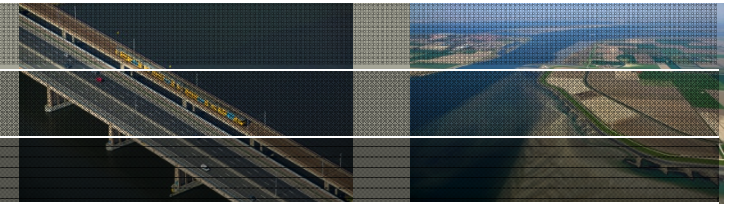
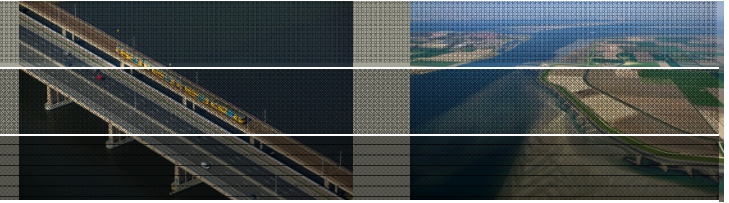


G4INDO – IT Platform



G4INDO – DEWS



Drought Early Warning System (DEWS)

Data (feeds)

- Satellite derived data (LAI, growth stage)
- ECMWF forecast (ensemble)
- TRMM
- Observations:
 - Discharge
 - Precipitation
 - Temperature (min/max)
 - Radiation
 - Wind speed
- WFDEI dataset (historical)

Import

Delft-FEWS

- import
- validation
- bias correction, downscaling of ECMWF ensemble
- general adapter
- export (html, archive)

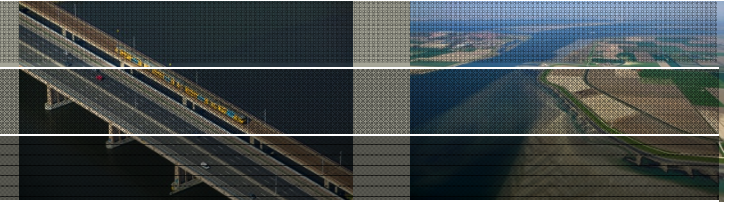
PI data exchange format

Data assimilation (updating of models based on measurements)

Hydrological model

Crop growth model

Recap discussion @ BMKG



- Downscaling of seasonal weather forecasts (PhD @ KNMI), data collection
- Coupling of models (hydrological + crop growth model)
- Data for model validation and model runs (P, Tmin, Tmax, windspeed, relative humidity, radiation):
 - + radiation (from sunshine duration) for biomass production
 - + min-max temperature for development crop
 - + windspeed, RH, P water availability (transpiration)